

Technical Data Sheet

CODE 17002

VORTICE LINEO 125 V0

In-line mixed flow fans



Certifications



IMQ



CE



IMQ Performance



C Tick Mark



CCC



EAC

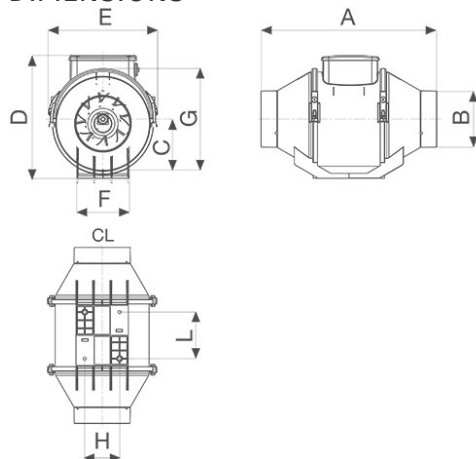


G-Mark

TECHNICAL AND PERFORMANCE DATA

| | | | |
|---|---------|---|-------|
| Absorbed power 1st speed (W) | 25 | Delivery 1st speed (l/s) | 69,4 |
| Frequency (Hz) | 50 | Delivery 1st speed (m ³ /h) | 250 |
| Insulation Class | II° | Max delivery at max speed (l/s) | 101,4 |
| IP | 44 | Max delivery at max speed (m ³ /h) | 365 |
| Max ambient temperature for continuous operation (°C) | 60 | Pressure - 1st speed (mmH2O) | 13 |
| Max. absorbed Current at max. speed (A) | 0,15 | Pressure - 1st speed (Pa) | 127,5 |
| Max. absorbed Current at min. speed (A) | 0,11 | Pressure max - max speed (mmH2O) | 17 |
| Max. absorbed power at max speed (W) | 33 | Pressure max - max speed (Pa) | 166,8 |
| Nominal Diameter (mm) | 125 | RPM max | 2140 |
| Voltage (V) | 220-240 | RPM min | 1570 |
| Weight (Kg) | 1,8 | Sound pressure level Lp [dB (A)] 3m - max speed | 43 |
| | | Sound pressure level Lp [dB (A)] 3m - min speed | 33,9 |

DIMENSIONS



| | |
|-------------|-------|
| Size A (mm) | 188,5 |
| Size B (mm) | 211 |
| Size C (mm) | 258 |
| Size D (mm) | 122 |
| Size E (mm) | 101,5 |
| Size F (mm) | 189 |
| Size G (mm) | 90 |
| Size H (mm) | 60 |
| Size L (mm) | 80 |
| Size M (mm) | 6 |

PER INFORMAZIONI:

Servizio al Cliente: tel +39 02 90699395 premendo 1 dopo messaggio registrato (consulenza su prodotti e impianti)

Pre & Post Vendita: fax +39 02 90699302

Email prevendita: prevendita@vortice-italy.com

Technical Data Sheet

CODE 17002

VORTICE LINEO 125 V0

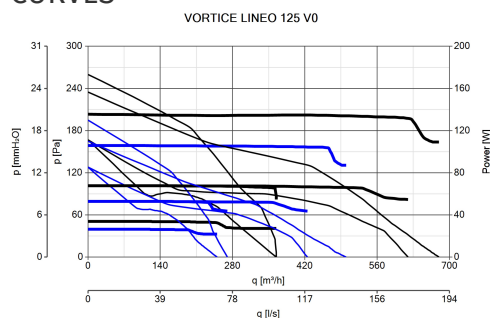
In-line mixed flow fans



DESCRIPTION

- Material: self-extinguishing plastic resin (self-extinguishing capability V0)
- Nominal diameter 125 mm.
- 2 speed AC motor with thermal overload cutout and shaft turning in ball bearings, coupled to mixed flow axial-centrifugal impeller.
- Minimum air flow 250 m³/h
- Maximum air flow: 365 m³/h
- IMQ SAFETY and IMQ PERFORMANCE certifications
- Vortice speed controllers.

CURVES



ACCESSORIES



LINEO-PF 125

Code 22578



LINEO-C 125

Code 22585



LINEO-SF 500

Code 22593



LINEO-G 125

Code 22702



C5 0.5 (COMANDO 5V 0.5 A)

Code 12987



C 1.5 (COMANDO EL. 1.5 A)

Code 12966



KIT SCB5 (TRASF. 5 V.)

Code 22483



PER INFORMAZIONI:

Servizio al Cliente: tel +39 02 90699395 premendo 1 dopo messaggio registrato (consulenza su prodotti e impianti) **TIMER**

Pre & Post Vendita: fax +39 02 90699302

Email prevendita: prevendita@vortice-italy.com

le 12999

Code 22481



C TEMP
Code 12992



C SMOKE
Code 12993



C HCS
Code 12994