

Technical Data Sheet

CODE 17003

VORTICE LINEO 150 V0

In-line mixed flow fans



Certifications



IMQ



CE



IMQ Performance



C Tick Mark



CCC



EAC

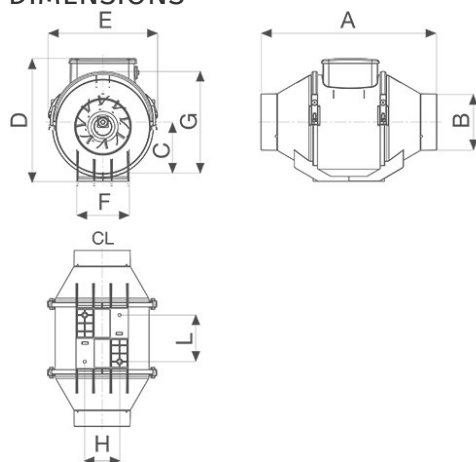


G-Mark

TECHNICAL AND PERFORMANCE DATA

Absorbed power 1st speed (W)	40	Delivery 1st speed (l/s)	106,9
Frequency (Hz)	50	Delivery 1st speed (m ³ /h)	385
Insulation Class	II°	Max delivery at max speed (l/s)	152,8
IP	44	Max delivery at max speed (m ³ /h)	550
Max ambient temperature for continuous operation (°C)	60	Pressure - 1st speed (mmH2O)	21
Max. absorbed Current at max. speed (A)	0,26	Pressure - 1st speed (Pa)	206
Max. absorbed Current at min. speed (A)	0,18	Pressure max - max speed (mmH2O)	27
Max. absorbed power at max speed (W)	58	Pressure max - max speed (Pa)	264,9
Nominal Diameter (mm)	150	RPM max	2100
Voltage (V)	220-240	RPM min	1580
Weight (Kg)	2,4	Sound pressure level Lp [dB (A)] 3m - max speed	50,5
		Sound pressure level Lp [dB (A)] 3m - min speed	41,4

DIMENSIONS



Size A (mm)	214,5
Size B (mm)	234
Size C (mm)	294
Size D (mm)	146
Size E (mm)	112,5
Size F (mm)	212
Size G (mm)	110
Size H (mm)	60
Size L (mm)	80
Size M (mm)	6

PER INFORMAZIONI:

Servizio al Cliente: tel +39 02 90699395 premendo 1 dopo messaggio registrato (consulenza su prodotti e impianti)

Pre & Post Vendita: fax +39 02 90699302

Email prevendita: prevendita@vortice-italy.com

Technical Data Sheet

CODE 17003

VORTICE LINEO 150 V0

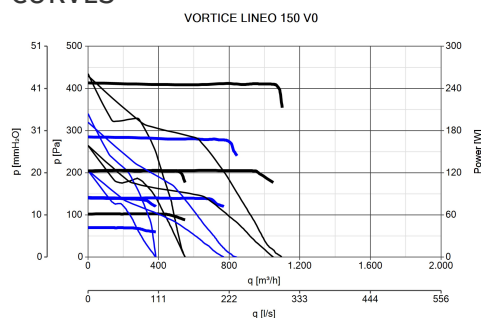
In-line mixed flow fans



DESCRIPTION

- Material: self-extinguishing plastic resin (self-extinguishing capability V0)
- Nominal diameter 150 mm.
- 2 speed AC motor with thermal overload cutout and shaft turning in ball bearings, coupled to mixed flow axial-centrifugal impeller.
- Minimum air flow 385 m³/h
- Maximum air flow: 550 m³/h
- IMQ SAFETY and IMQ PERFORMANCE certifications
- Vortice speed controllers.

CURVES



ACCESSORIES



C TEMP

Code 12992



C SMOKE

Code 12993



C HCS

Code 12994



C PIR

Code 12998



C TIMER

Code 12999



KIT SCB (TRASF.E.C.)

Code 22481



KIT SCB5 (TRASF.5 V.)

Code 22483



C 1.5

PER INFORMAZIONI:

Servizio al Cliente: tel +39 02 90699395 premendo 1 dopo messaggio registrato (consulenza su prodotti e impianti) | e 22593

Pre & Post Vendita: fax +39 02 90699302

Email prevendita: prevendita@vortice-italy.com



LINEO-PF 150



LINEO-C 150



LINEO-SF 500

Code 12966



LINEO-G 150

Code 22703



**C5 0.5
(COMANDO 5V
0.5 A)**

Code 12987



DUO

Code 22914