



SMART 2 WIRE PUSH BUTTON DIMMER MECH

Two Wire Smart Push Button Dimmer Mech.
No Neutral Required.

Voice
control



WiFi Smart push button lighting dimmer that allows remote operation from anywhere

- Smartify the lights in your home by installing this Wifi Dimmer Mech
- Fits conveniently into the existing switch plate
- Perfect for new or retro-fit installations
- Trailing edge dimmer suitable for most lighting products
- Slots seamlessly into HPM®, Clipsal® and Vynco® branded wall plates
- Control from anywhere via app or voice control
- Build schedules and timing to automate your home
- Create virtual automation looping without the hassle of installing long cable runs*
- Programmable minimum brightness level to avoid light flickering
- Incorporates on/off switching and dimming control into one mechanism
- Soft start for improved lamp life
- Connects to other BrilliantSmart devices and other compatible products
- Overheat, Overload and Over-current protection
- Manual push button is in perfect sync with app

* Virtual automation requires some automation scenes to be programmed in app

APPLICATIONS

- Suitable for LED, Incandescent & Halogen dimmable lighting
- Set up two-way switching through automation on our app by adding a second Smart Mech (Wifi required)
- When using multiple mech's, group them together on the app to control multiple rooms at once
- Create behaviour based rules through the app using automation, ie: when movement is detected from a sensor, the Mech switches the lights on automatically



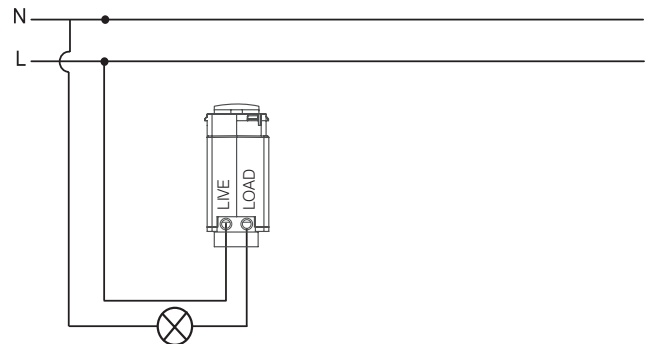
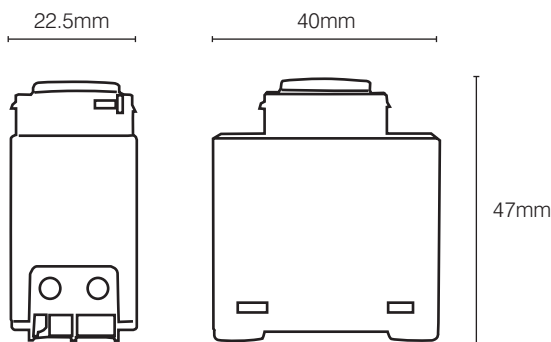
BRILLIANT SMART 2 WIRE ROTARY DIMMER

TECHNICAL SPECIFICATIONS

Dim Method:	Trailing edge
Advanced settings:	Programmable minimum dimming level
Operating Voltage:	220-240V - 50Hz
Class:	Class II (2)
Maximum Load:	250W LED / 250W incandescent
Minimum Load:	5W or 0.33 μ F X2 capacitor
Operating Temperature:	10°C - 30°C
Protection Type:	Over heat, over load & over current
Control Type:	Push button / Rotary / BrilliantSmart app, Soft start for improved lamp life
Connection Terminals:	3 x 3mm diameter (7mm ²) screw
Material:	Flame retardant ABS for housing
LED Indicator:	Blue
Plate Compatibility:	Slots seamlessly into HPM [®] , Clipsal [®] and Vynco [®] branded wall plates (series 30 type)
Warranty:	3 year replacement
WiFi Info:	IEEE802.11b/g/n, 2.4GHz Mac Encryption; WEP/WAPI/TKIP/AES
Device Requirements:	iOS 10.0 or higher, Android 5.0 or higher
Standards:	AS/NZS 60669-2-1 IEC 60669-1

INSTALLATION

Must be installed by a licensed electrician



	MODEL	COLOUR	DESCRIPTION	BOX SIZE	GROSS WEIGHT	BOX QTY	BARCODE/TUN
RETAIL BOX	22092	Blk	Smart 2 Wire Push Button Dimmer Mech	W50 x D40 x H60 mm	0.05 kg	1 pc	 9 312641 220923 >
INNER CTN	22092	Blk	Smart 2 Wire Push Button Dimmer Mech SRT	W206 x H33 x D106 mm	5.5 kg	10pc	 19312641220920
OUTER CTN	22092	Blk	Smart 2 Wire Push Button Dimmer Mech	W221 x H227 x D360 mm	5.8 kg	100 pc	 29312641220927