

CHLEPP2USB2G

*See current catalogue for further detail



Cleaning Guide:

Spraying cleaning products directly on to electrical switches or power points (sockets) is not recommended.

It is important to ensure that switches are turned off before cleaning.

Do not use any cleaning sprays - only wipe down with damp cloth or rub with dry cloth. Do not use an abrasive cloth as it may scratch the plastic.

Do not use harsh chemical cleaners as these can break down the plastic and cause it to crack.

Do not wash the cover plates in water over 60°C.

Cheetah & Leopard USB Ranges ONE SOCKET TWO COVERS

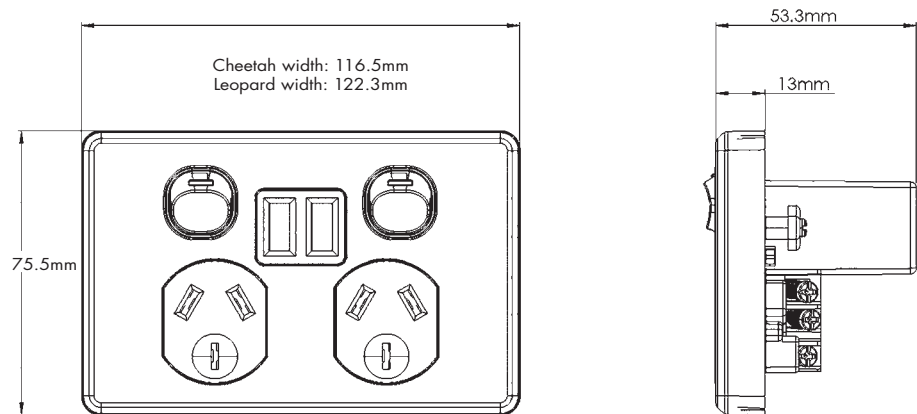
CHEETAH™ LEOPARD™

Suitable for BOTH Cheetah & Leopard Ranges
Both Cheetah & Leopard covers included in the same pack

[For some wholesalers it will be found on your system as either CHPP2USB2G or LEPP2USB2G - pointed to CHLEPP2USB2G]

CHLEPP2USB2G

- USB outlet approved to AS/NZS 60950.1
- Electrical power point approved to AS/NZS 3112
- The rating for the USB is 3.4A at 5V when one device is inserted then it divides to split the output when a device is inserted in each USB socket
- Fits standard wall boxes and mounting accessories
- Covers, plates and dollies are made from UV stabilised polycarbonate to avoid discolouring to yellow
- Standard colour is white. Black also stocked - please check availability
- Uses brass tunnel terminals that have the screws backed out for easier installation of cabling. Power point terminals have 6mm bore to suit 4 x 2.5mm² cable
- The width of the covers are:



Catalogue Number	Description
CHLEPP2USB2G	Power Point Switched 2 Gang, 10A 250V~ and 2 USBs
CHLEPP2USB2GBK	Power Point Switched 2 Gang, 10A 250V~ and 2 USBs Black

Certification Number:
CHLEPP2USB2G: GMA-103194-EA-007

GSM Electrical (Australia) Pty Ltd
Level 2, 142-144 Fullarton Road, Rose Park SA 5067
P: 1300 301 838 F: 1300 301 778 E: service@gsm.com.au



Data Specification Sheet
April 2018