

Clipsal wilcoROWCO™ Metal Clad Surface DIN enclosures & DIN sockets



WMDIN2



WMCDIN*RC Series**



WMCDIN563

Surface DIN enclosures and DIN Socket Specifications

Cast Aluminium
High Visibility yellow enclosure with transparent hinged flap
DIN enclosures 99W x 201H x 117Dmm
DIN socket 10A-32A 99W x 303H x 117Dmm
DIN socket 63A 115W x 323H x 185Dmm
IP66
External and accessible mounting facilities

The Clipsal wilcoROWCO Surface DIN enclosures have modular 99 x 201mm designs that allows installers to mix and match covers on to two, three or four gang enclosures (bases). The one piece DIN cover also means there are less access points for dust or water to penetrate.

Additionally the 99 x 303mm surface mount DIN protected sockets provide important RCD protection of popular sockets. The three gang enclosure sizing is kept to a minimum so these products can be installed into tight spaces (e.g columns or adjacent machinery).

Larger 63A Option

If larger DIN enclosures with sockets are required for larger cabling or plugs then the five pin 500V WMCDIN563 (measuring 323x115mm) is available for 63A versions. This product allows the end user to fit their preferred DIN rail mounted protection device

Applications

Heavy Industrial environments both indoors and outdoors where protection from dust, water, UV and impact is important. Alternatively areas which are exposed to vandalism may benefit from the Wilco Rowco metal clad design.

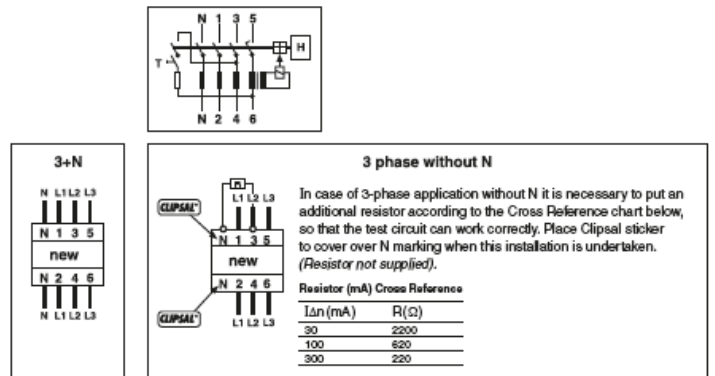
Features

- Heavy Duty Cast Aluminium
- DIN enclosure has high visibility yellow enclosure with transparent inspection flap
- Spring loaded socket flap with latch for added safety coverage.
- WMDIN2 - 99mm x 201mm modular range accepts 4 module DIN mount products
- WMCDIN***RC series – 99mm x 303mm modular range that accept 56 series plugs
- IP66 Rated to IEC60529
- Padlocking facility (6mm) in transparent flap
- External and accessible mounting facilities
- Stainless Steel (316 grade) cover mounting screws

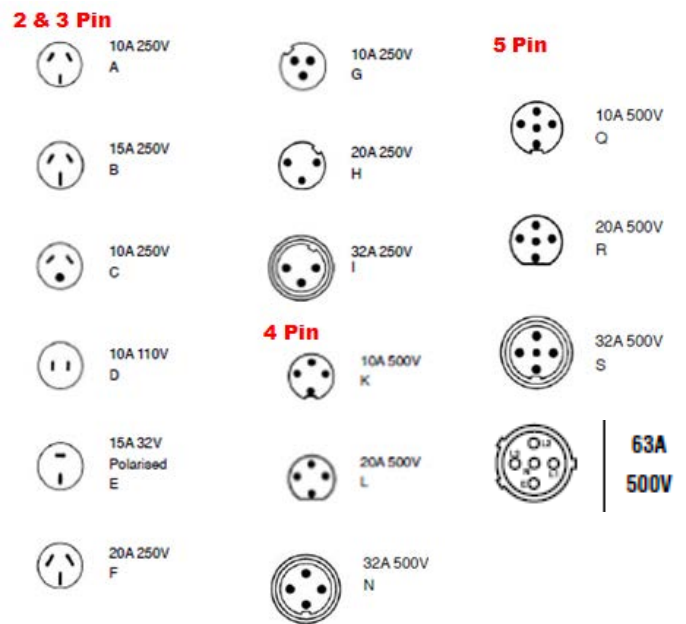
Ordering Details

Catalogue No.	Description
WMDIN2	ENCLOSURE SURFACE DIN 4MOD 2G
WMCDIN310RC	DIN PROTECTED SOCKET OUTLET with 30mA RCD 3G 10A 240V
WMCDIN520RC	DIN PROTECTED SOCKET OUTLET with 30mA RCD 3G 20A 415V 5R
WMCDIN432RC	DIN PROTECTED SOCKET OUTLET with 30mA RCD 3G 32A 415V 4R
WMCDIN532RC	DIN PROTECTED SOCKET OUTLET with 30mA RCD 3G 32A 415V 5R
WMCDIN563	DIN ENCLOSURE WITH SOCKET OUTLET 63A 500V 5R

Wiring Diagram for WMCDIN***RC Series



Socket Configurations



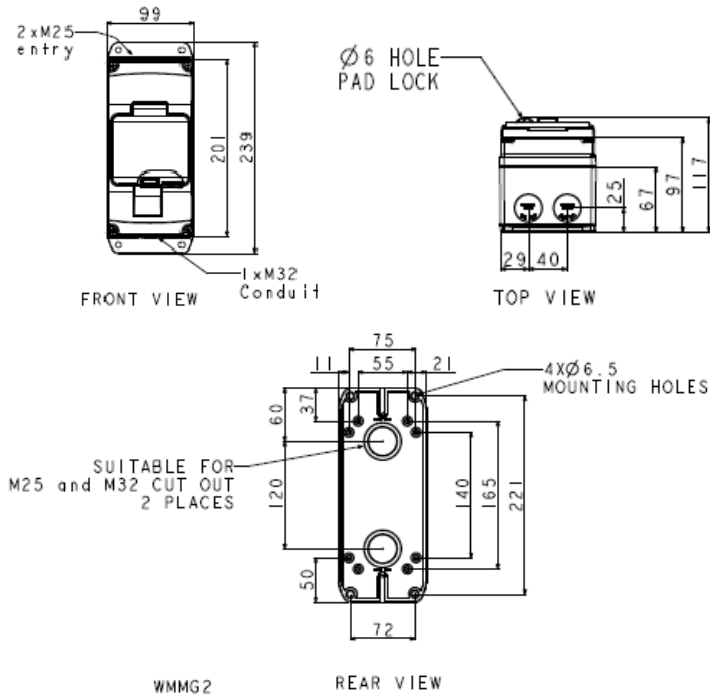
Catalogue No.	Matching Plug
WMCDIN310RC	56P310
WMCDIN520RC	56P520
WMCDIN432RC	56P432
WMCDIN532RC	56P532
WMCDIN563	66P563

General Specifications

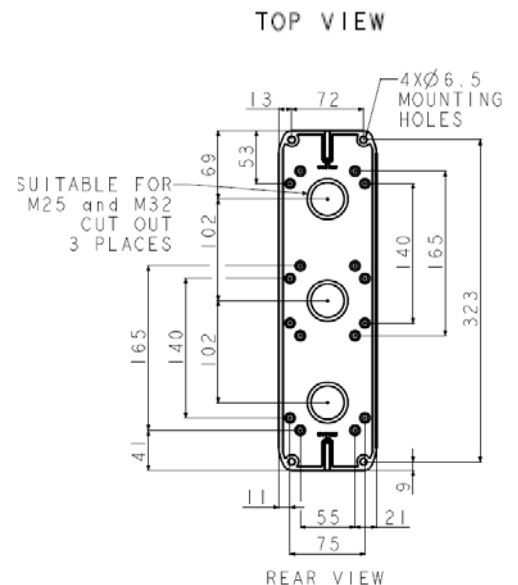
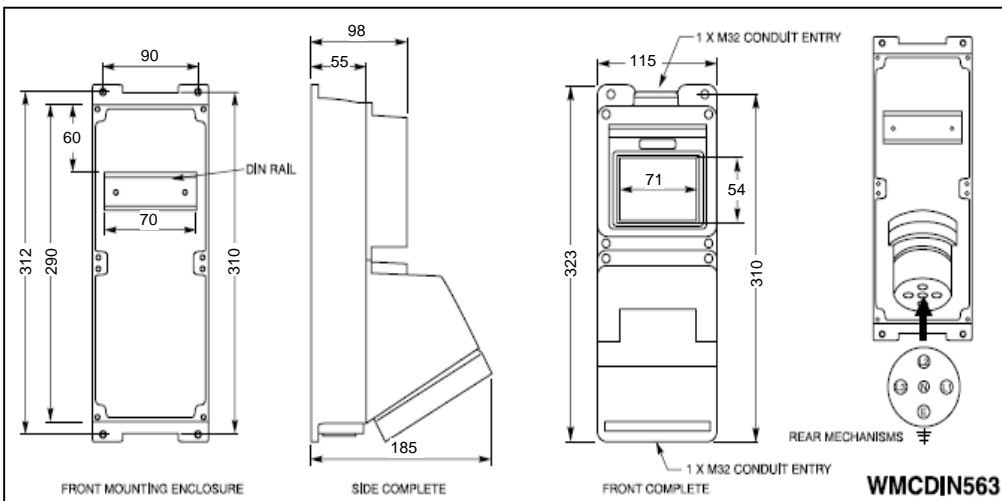
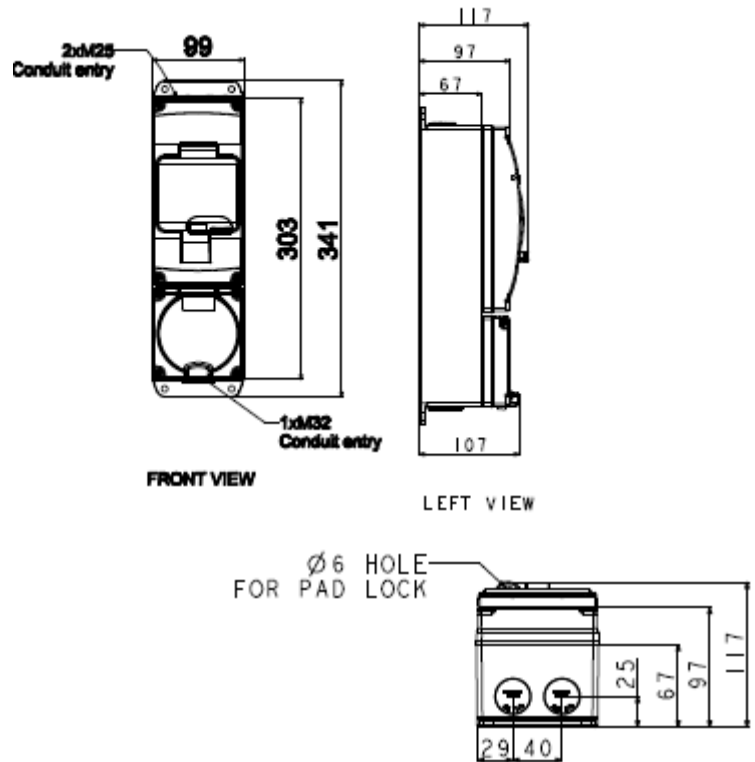
General	
Min Conductor	WMCDIN310RC = 1.5mm ² Three Phase 20A = 2.5mm ² Three Phase 32A = 4mm ² WMCDIN563 = 16mm ²
Max Conductor	WMCDIN***RC series = 16mm ² WMCDIN563 = 25mm ²
Dimensions	WMDIN2 = 99 W x 201 H x 117 Dmm. WMCDIN***RC = 99 W x 301 H x 117 Dmm WMCDIN563 = 115 W x 323 H x 185 Dmm
Mounting Centres & Holes	WMDIN2 = 72mm W x 221 Hmm WMC***RC = 72 W x 323 Hmm WMCDIN563 = 90 W x 310 Hmm Ø 6.5mm
Conduit entries	WMDIN2 - 1x Ø32mm, 2x Ø25mm WMCDIN***RC - 1x Ø32mm, 2x Ø25mm WMCDIN563 - top 1x Ø32mm, bottom 1x Ø32mm
Safety Approval	AS 60947 Low-voltage switchgear and controlgear AS/NZS 3123 Approval and test specification - Plugs, socket-outlets and couplers for general industrial application IEC60529 Degrees of protection provided by enclosures (IP Code)
Environmental	RoHS Compliant
Operating temp.	-20°C to +70°C ambient

Dimensional Details

WMDIN2



WMCDIN***RC



Schneider Electric (Australia) Pty Ltd

33-37 Port Wakefield Road, Gepps Cross,
South Australia 5094

PO Box 132, Enfield Plaza,
South Australia 5085

National Customer Care Enquiries:

1300 2025 25

clipsal.com

Schneider Electric (Australia) Pty Ltd reserves the right to change specifications, modify designs and discontinue items without incurring obligation and whilst every effort is made to ensure that descriptions, specifications and other information in this document are correct, no warranty is given in respect thereof and the company shall not be liable for any error therein.

© 2014 Schneider Electric. All Rights Reserved.

Trademarks are owned by Schneider Electric Industries SAS or its affiliated companies.