

10 YEARS NONREPLACEABLE LITHIUM BATTERY

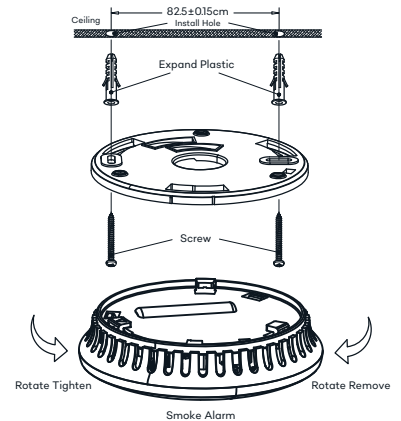
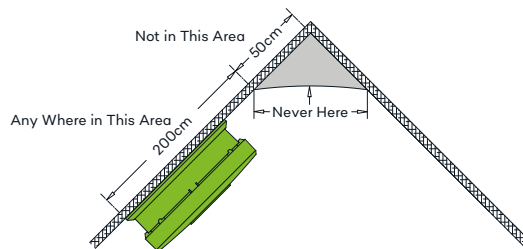
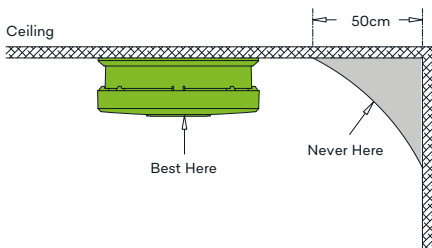


SPECIFICATIONS

Model Number	BN10
Sensor Type	Photoelectric smoke sensor
Power Supply	DC 3 V built-in lithium battery
Quiescent Current	≤8uA
Alarm Current	≤28mA
Australian Standards	AS3786:2014
Alarm Volume	>85dB(A) @3 metres
Insect Screen	Fine Mesh
Product Life Time	> 10 years

Battery Life Time	> 10 years
Hush Time	< 8 min
Humidity Range	< 93% relative humidity(RH)
Temperature Range	1.0°C to 40°C
Program	Automatic dust compensation
Plastic Material	VO level flame retardant ABS
Product Size	120mm in diameter X 38mm depth
Warranty	10 Years

INSTALLATION



**INNOVATION
AND QUALITY**
You can rely on

DetectOn Pty Ltd
Toll Free: 1300 205 222
DetectOn.com.au
Level 14, 275 Alfred St,
North Sydney NSW 2060
Australia

