

10 YEAR LITHIUM BATTERY PHOTOELECTRIC SMOKE ALARM RF WIRELESS INTERCONNECTED 40 UNITS

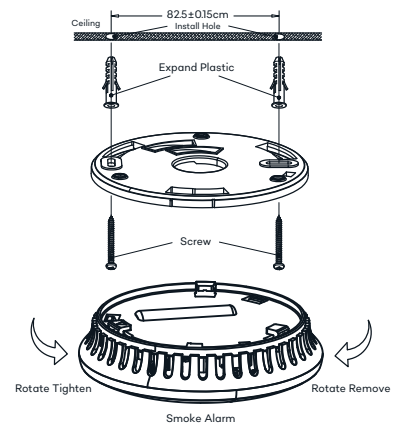
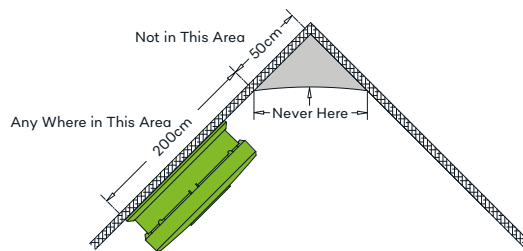
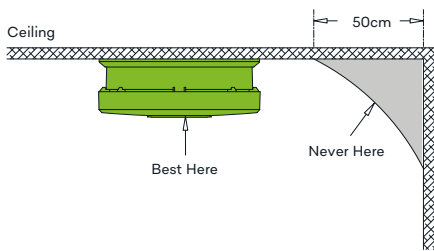
BR10 DATA SHEET



SPECIFICATIONS

Model Number	BR10		
Sensor Type	Photoelectric smoke sensor	Hush Time	< 8 min
Power Supply	DC 3V built-in lithium battery	Humidity Range	< 93% relative humidity(RH)
Quiescent Current	≤8μA	Temperature Range	1.0°C to 40°C
Alarm Current	≤28mA	Wireless Frequency	433MHz
Australian Standards	AS3786:2014	Wireless Interconnection	Up to 40pcs
Alarm Volume	>85dB(A) @3 metres	Program	Automatic dust compensation
Insect Screen	Fine Mesh	Plastic Material	VO level flame retardant ABS
Product Life Time	> 10 years	Product Size	120mm in diameter x 38mm depth
Battery Life Time	> 10 years	Warranty	10 Years

INSTALLATION



DetectOn[®]

**INNOVATION
AND QUALITY**
You can rely on

DetectOn Pty Ltd
Toll Free: 1300 205 222
DetectOn.com.au
Level 14, 275 Alfred St,
North Sydney NSW 2060
Australia



10 YEAR

P
Photoelectric

Sensitive
Sensor

40
Wireless

Interconnected
Smoke Alarms

10
YEARS

★★★★★
WARRANTY