

9V BATTERY PHOTOELECTRIC SMOKE ALARM

BV01 DATA SHEET

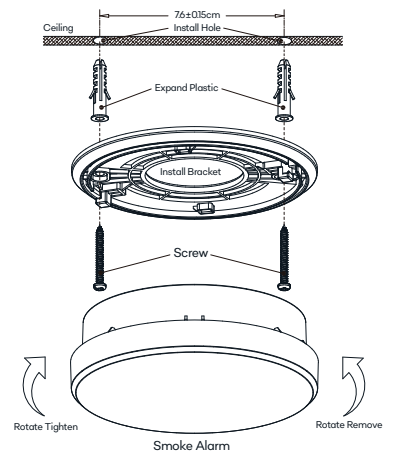
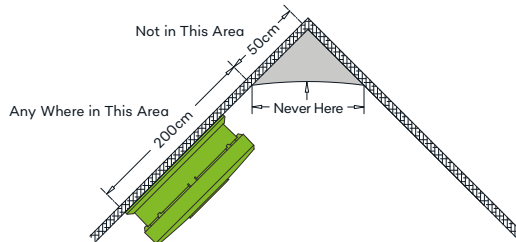
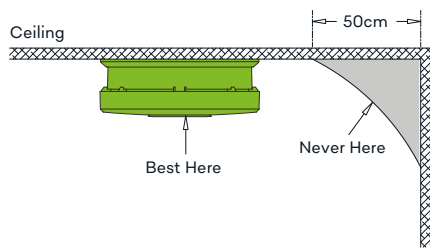


SPECIFICATIONS

Model Number	BV01
Sensor Type	Photoelectric smoke sensor
Power Supply	DC 9 V replaceable battery
Quiescent Current	≤8uA
Alarm Current	≤28mA
Australian Standars	AS3786:2014
Alarm Volume	>85dB(A) @ 3 metres
Product Life Time	> 10 years

Hush Time	< 8 min
Humidity Range	< 93% relative humidity (RH)
Temperature Range	10°C to 40°C
Plastic Material	VO level flame retardant ABS
Product Size	100.8mm in diameter x 36.7 mm depth
Warranty	10 Years

INSTALLATION



DetectOn[®]

**INNOVATION
AND QUALITY**
You can rely on

DetectOn Pty Ltd
Toll Free: 1300 205 222
DetectOn.com.au
Level 14, 275 Alfred St,
North Sydney NSW 2060
Australia

