

240V PHOTOELECTRIC SMOKE ALARM 9V BATTERY BACKUP

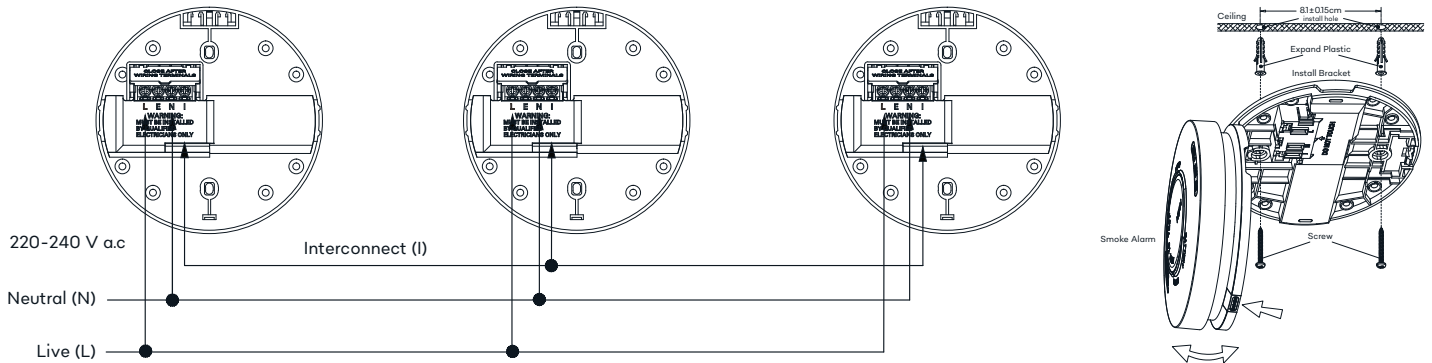


SPECIFICATIONS

Model Number	MW01
Sensor Type	Photoelectric smoke sensor
Power Supply	AC 220V-240V with DC 9 V battery backup
Operation Current	≤ 100mA with AC power
Australian Standards	AS3786:2014
Alarm Volume	>85dB(A) @3 metres
Hush Time	8 mins

Product Life Time	> 10 years
Wired Interconnection	Up to 40pcs
Humidity Range	< 93% relative humidity (RH)
Temperature Range	1.0°C to 40°C
Plastic Material	VO level flame retardant ABS
Product Size	140mm in diameter x 44.9mm depth
Warranty	10 Years

INSTALLATION



**INNOVATION
AND QUALITY**
You can rely on

DetectOn Pty Ltd
Toll Free: 1300 205 222
DetectOn.com.au
Level 14, 275 Alfred St,
North Sydney NSW 2060
Australia

