

Stainless Steel Floor Box Shallow

AT A GLANCE...

- Capacity: 2 Auto Switch GPOs
- Box Size: 135 x 130 x 65 mm Deep
- Lid Material: Stainless Steel
- Suitable for: Compact installations

“Easy as ECD®”

- Compact and stylish, the FB143 Flush Floor Box provides ready access to power outlets recessed in the floor.
- Suitable for use in: Modern open plan living areas, home theatres, showrooms, shop-front displays, boardroom tables, schools, universities, and public buildings.
- Available in Stainless Steel, the hard wearing 145 x 145 mm cover bevels down to a fine edge under foot and is suitable for use with polished floor boards, carpet, ceramic tiles and vinyl floor coverings (not suitable for use in wet areas).
- Capacity for 2 x single auto switch GPOs (other combinations available to order).
- Two small flaps allow cords out of the box when in use and close flat when not in use.
- A versatile, practical and decorative solution to your open plan cabling needs.
- Optional mounting plates for single Power & single Data combination available.
- This product has been examined in accordance with AS 3000 and conforms to A.C.M.A requirements.



ESTABLISHED 1979

Electric Cable Duct Systems P/L

Phone: 1300 123 ECD (323)

Email: info@ecd.net.au

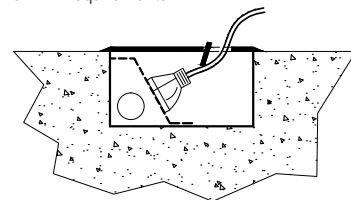
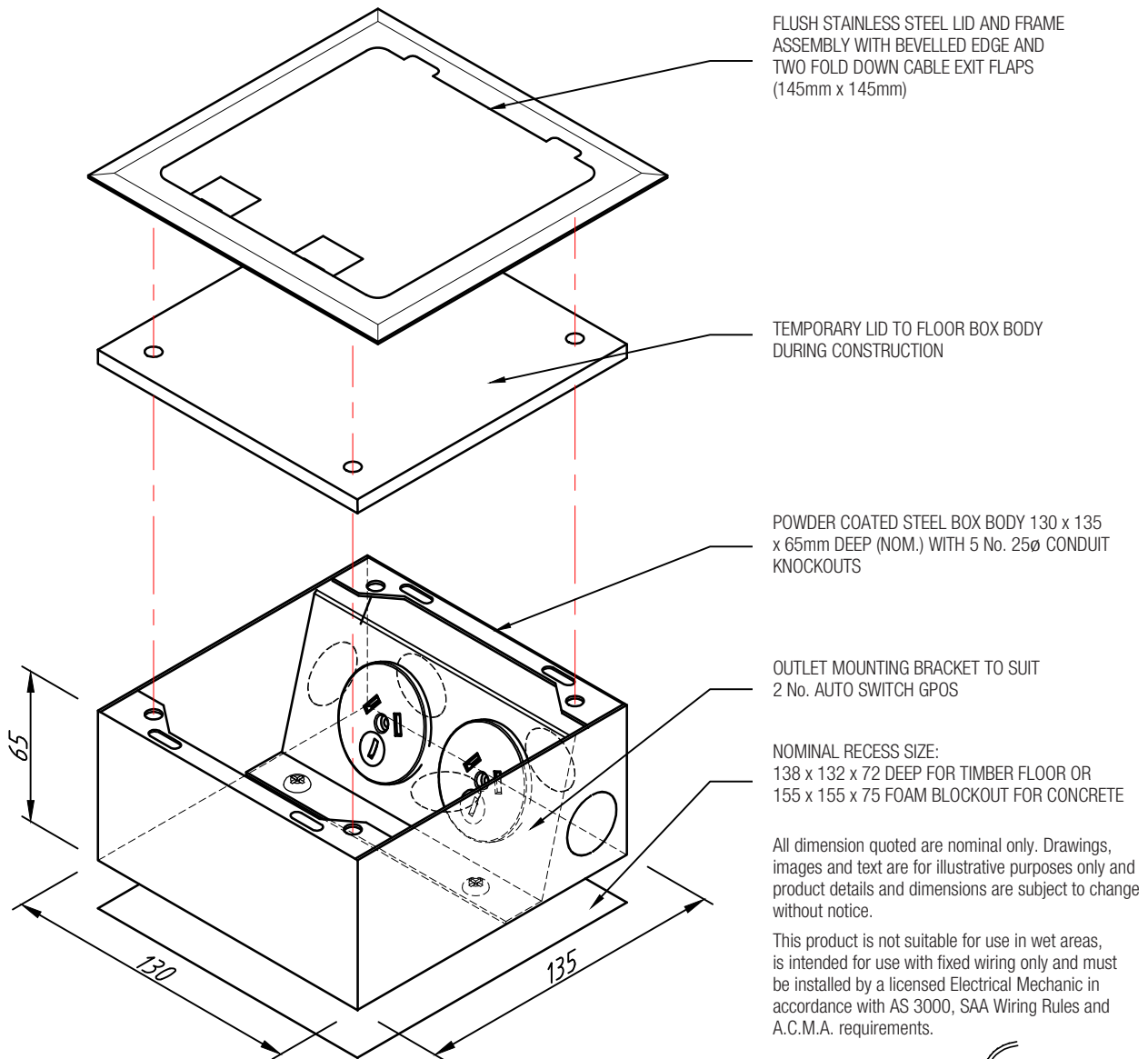
Fax: 1300 372 825

website: www.ecd.net.au

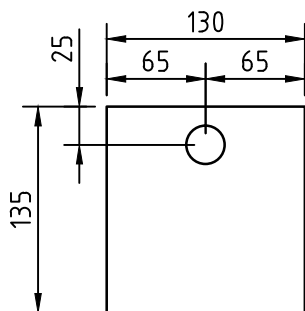
ABN 80005544105

ASSEMBLY DIAGRAM

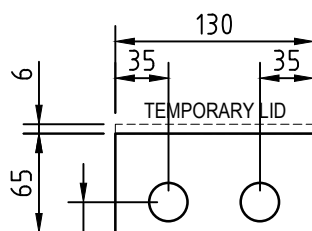
STAINLESS STEEL FLOOR BOX – SHALLOW – FB143



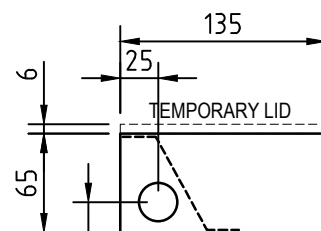
ASSEMBLED SIDE VIEW OF FB143
SINGLE COMPARTMENT FLOOR BOX
SHOWING CORD OUTLET FLAP IN USE



CONDUIT LOCATION
BOX BASE



CONDUIT LOCATION
POWER (HINGE) SIDE



CONDUIT LOCATION
TO SIDES