

## Brass Floor Box

### AT A GLANCE...

- Capacity: 1 standard sized plate  
1 No. 3 Gang Data Plate
- Box Size: 135 x 130 x 100 mm Deep
- Lid Material: Brass
- Suitable for: Compact installations

**“Easy as ECD®”**

- Compact and stylish, the FB147 Series of Flush Floor Boxes provide ready access to power and communication outlets recessed in the floor.
- Suitable for use in: Modern open plan living areas, home theatres, showrooms, shop-front displays, boardroom tables, schools, universities, and public buildings.
- Available in Brass, the hard wearing 145 x 145 mm cover bevels down to a fine edge under foot and is suitable for use with polished floor boards, carpet, ceramic tiles and vinyl floor coverings (not suitable for use in wet areas).
- Capacity 1 x Double GPO and 3 x Data.
- Two small flaps allow cords out of the box when in use and close flat when not in use.
- A versatile, practical and decorative solution to your open plan cabling needs.
- This product has been examined in accordance with AS 3000 and conforms to A.C.M.A requirements.



ESTABLISHED 1979

**Electric Cable Duct Systems P/L**

Phone: 1300 123 ECD (323)

Email: [info@ecd.net.au](mailto:info@ecd.net.au)

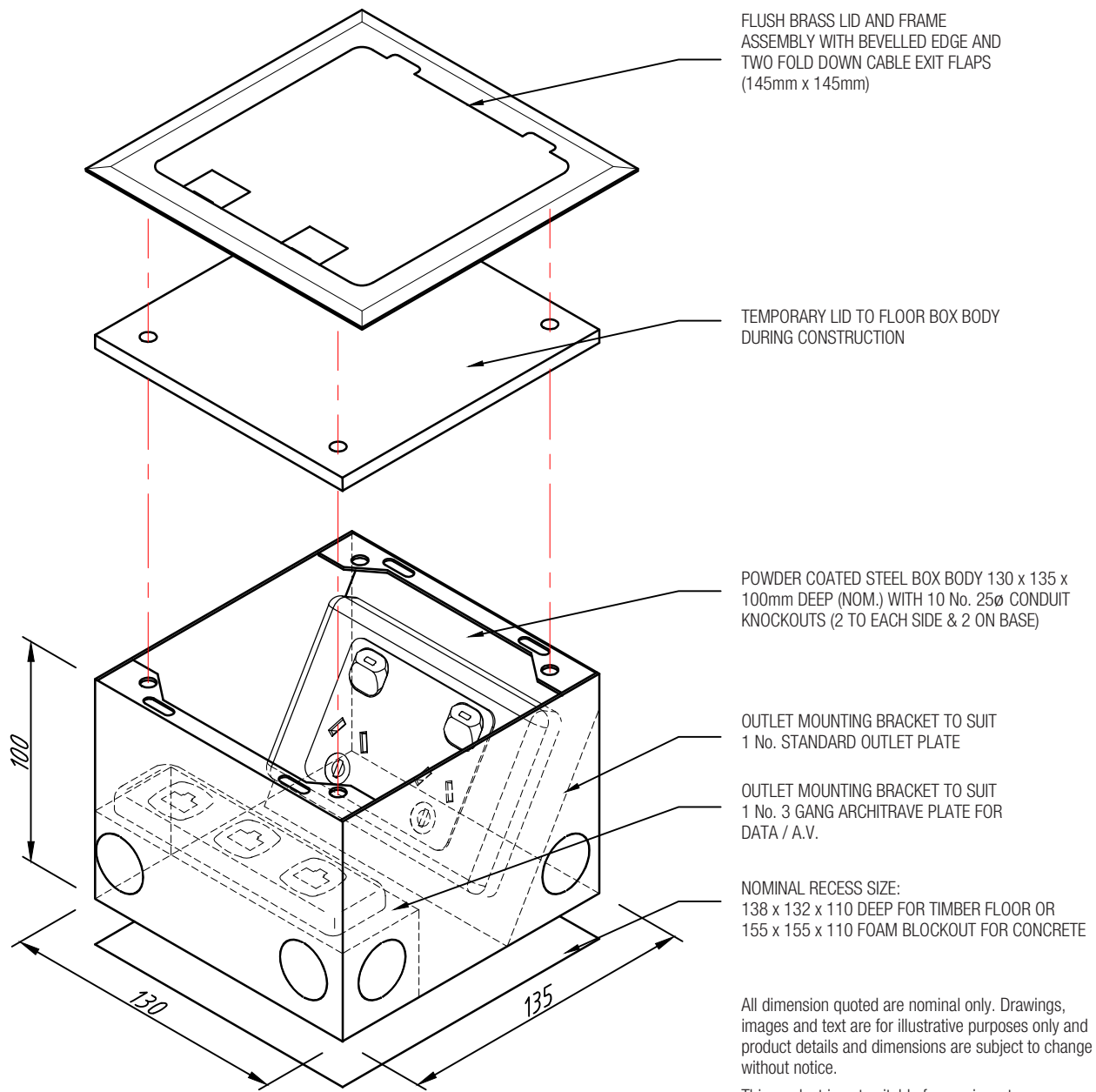
Fax: 1300 372 825

website: [www.ecd.net.au](http://www.ecd.net.au)

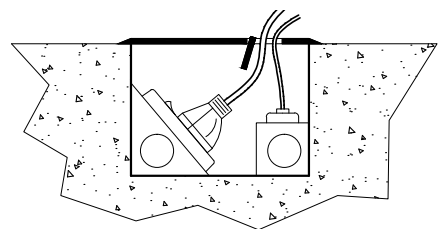
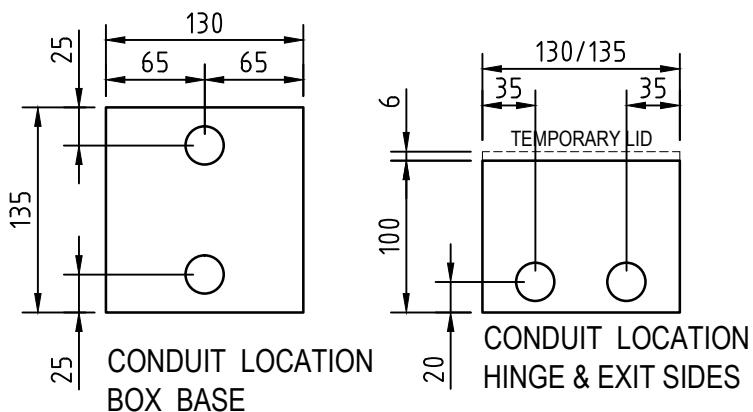
ABN 80005544105

## ASSEMBLY DIAGRAM

### BRASS FLOOR BOX – FB147



This product is not suitable for use in wet areas, is intended for use with fixed wiring only and must be installed by a licensed Electrical Mechanic in accordance with AS 3000, SAA Wiring Rules and A.C.M.A. requirements.



ASSEMBLED SIDE VIEW OF FB147  
SINGLE COMPARTMENT FLOOR BOX  
SHOWING CORD OUTLET FLAP IN USE