

## Stainless Steel Flush Floor Box Round Lid

### AT A GLANCE...

- Capacity: 1 standard sized GPO  
3 No. 3 Voice/Data outlets
- Box Size: 125 x 125 x 110 mm Deep
- Lid Material: Stainless Steel 175 mm Dia.
- Recess: 165 Dia. x 120 mm Deep Core  
or 130 x 130 x 120 mm Deep
- Suitable for: Cat6 Cabling

**“Easy as ECD®”**

- The FB175 ‘Round’ Floor Outlet Box features a solid 3 mm thick, stainless steel lid and frame – Maximum Outlet capacity is 1 No. Standard Double GPO and 3 No. Voice/Data outlets.
- Suitable for Category 6 Data cabling.
- The cover bevels down to a fine edge and is suitable for use with carpet, polished floor boards, ceramic tiles, and vinyl floor coverings.
- The cover is also available with a ‘Non’ bevelled edge – suitable for a flush finish with tiled, timber or other hard finish floors.
- Cable Exit flap allows cords to exit the box when in use and close flat when not in use.
- Power outlets are mounted on an angle within the box to minimise dust accumulation and to allow plugs to be inserted and withdrawn with ease.



ESTABLISHED 1979

**Electric Cable Duct Systems P/L**

Phone: 1300 123 ECD (323)

Email: [info@ecd.net.au](mailto:info@ecd.net.au)

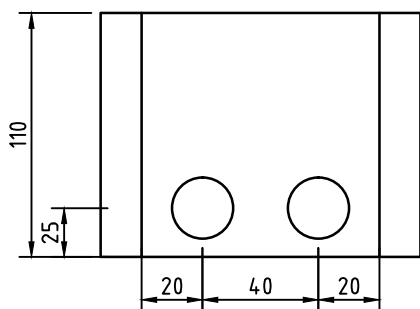
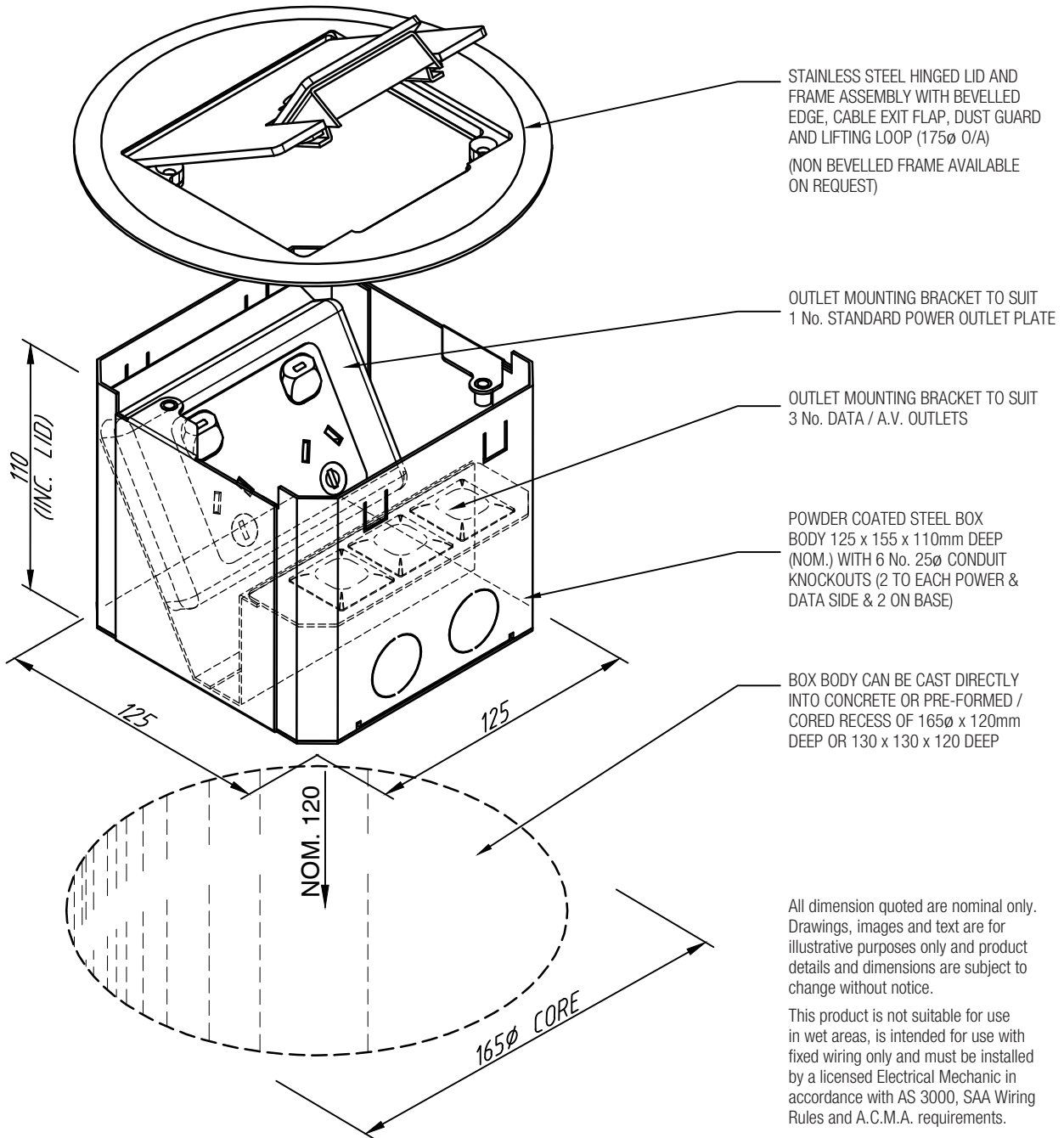
Fax: 1300 372 825

website: [www.ecd.net.au](http://www.ecd.net.au)

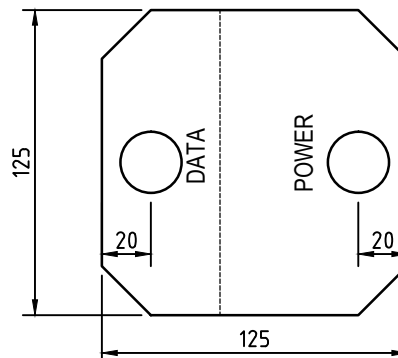
ABN 80005544105

## ASSEMBLY DIAGRAM

### STAINLESS STEEL FLUSH FLOOR BOX – ROUND LID – FB175



CONDUIT LOCATION  
HINGE & EXIT SIDES



CONDUIT LOCATION  
BOX BASE