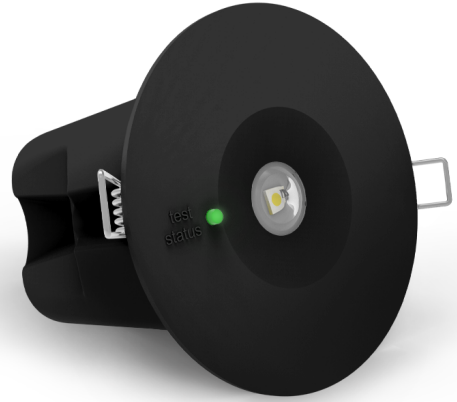


LED FIRE ALL-IN-ONE

Basic All-in-one Emergency Luminaire



ORDERING INFORMATION

| | |
|-------------|---|
| Order code | 10977 |
| Description | Ledfire Basic Emergency Luminaire - Black - D40 - W/F&P |
| Driver Type | Fixed output |
| Item Code | EV-LED FIRE-BASIC-B |

MECHANICAL

| | |
|----------------|-------|
| Fitting Colour | Black |
|----------------|-------|

ELECTRICAL

| | |
|-------------------|----------|
| Electrical Rating | Class II |
| Input Frequency | 50 Hz |
| Input voltage | 230Vac |

In Australia the Input voltage is defined as 230Vac -6%/+10%. This effectively means that the voltage range of these products are 216Vac - 253Vac or 240V +6%

DRIVER

| | |
|-------------------|--------------|
| Driver Included | Yes |
| Integrated Driver | Yes |
| Driver Type | Fixed output |

EMERGENCY (EM SUFFIX)

| | |
|--------------------------|----------------|
| Replacement Battery Code | 01307 |
| Emergency Duration | 90 mins |
| Emergency Mode | Non-Maintained |

COMPLIANCE

| | |
|---|---------|
| Product Design Life | 6 years |
| The product design life relates to the total product life which includes LEDs, drivers and the enclosure. This is different to the LED lifetime which only refers to the economical lifetime of the LEDs at which time the lumen output has dropped below the L Value. The product design life is calculated at the maximum ambient or working temperature of the product and takes into account the Daily Use. | |

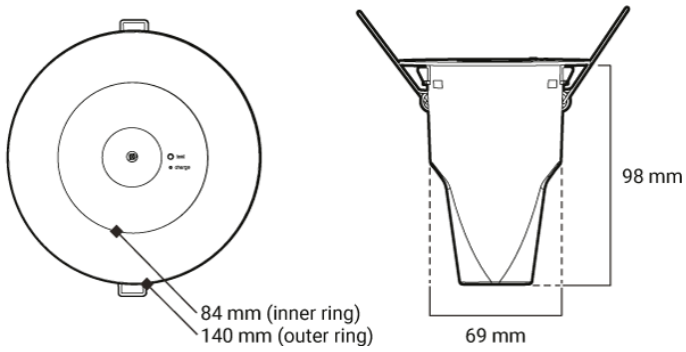
| | |
|-----------|--|
| Standards | AS/NZS 60598.1 AS 60598.2.22 AS/NZS 61347.1 AS/NZS 61347.2.13 AS CISPR 15 AS/NZS 2293.3 |
|-----------|--|

WARRANTY

| | |
|-------------------------|-----------------------|
| Commercial Use Warranty | 5 RTB (Total 5 Years) |
|-------------------------|-----------------------|

LINE DRAWINGS

EV/LED-FIRE/BASIC



PHOTOMETRICS

EV/LED-FIRE/BASIC

