



Replacement  
Warranty\*

## TRICOLOUR LED SECURITY LIGHT WITH PIR SENSOR

The Patrol Tricolour LED single security panel light with PIR motion sensor light is a strong and robust designed power flood light with the latest inbuilt PIR sensor control technology.

Secure your home with the Martec Patrol sensor light featuring adjustable time, motion and light sensitive settings. This LED security light comes on when it detects movement, making it ideal for entry ways, alfrescos, garages and walkways to deter intruders or welcome you as you arrive home. This light must be installed by a licensed electrician.



Tricolour  
LED



Power  
Wattage



Brightness



Beam  
Angle



Energy  
Efficient



CRI



LED  
Lamp Life



Detection  
Motion Sensor



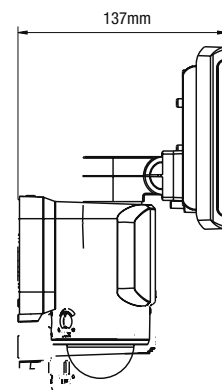
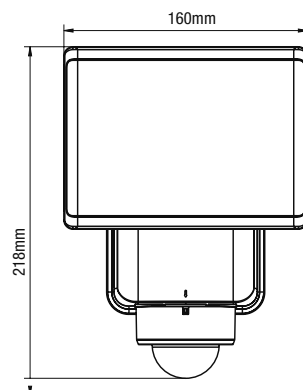
IP  
Rating

- 20W Tricolour LED light
- ≥1400lm
- Up to 12m detection distance
- 180° sensor detection angle
- Adjustable light duration time
- Day to night adjustable

### INCLUDES

Built in sensor with detection distance up to 12 metres

### DIMENSIONS



Aust/NZ Approval No.  
GMA-505964-EA

## 20W TRICOLOUR LED SECURITY LIGHT WITH BUILT IN PIR SENSOR BLACK

### FEATURES

- 20W energy saving LED
- PIR built-in sensor control with adjustable detection sensitivity
- Adjustable time delay
- Up to 12m detection distance
- Tricolour LED switchable 3000k, 4000k, 5000k
- IP44 weather rated
- Up to 25,000hrs LED lamp lifespan

### SPECIFICATIONS

<b>Model name</b>	Patrol
<b>Model number</b>	MLXP34520MS
<b>Power (wattage)</b>	20W
<b>Voltage</b>	220v-240v
<b>Frequency</b>	50Hz-60Hz
<b>Switchable Tricolour Lumens</b>	3000k-1400lm 4000k-1600lm 5000k-1600lm
<b>Colour temperature</b>	3000k / 4000k / 5000k
<b>LED light beam angle</b>	120°
<b>Product size (mm)</b>	W160 x H218 x D137
<b>Material</b>	Polycarbonate & aluminium
<b>LED Type</b>	40x0.5w
<b>CRI</b>	≥80
<b>Approximate lamp life</b>	25000hrs
<b>Weather resistance rating</b>	IP44
<b>Sensor detection angle</b>	180°
<b>Duration time</b>	10±5s to 4±1min, adjustable
<b>Detection distance max</b>	12m
<b>Lux control level</b>	From day to night adjustable with non-isolated driver; with Tricolour switch



\* For further information regarding warranty terms and conditions, please refer to enclosed warranty statement. Warranty is void unless installed by a licensed electrician.

### INSTALLATION

<b>Installation</b>	By licensed electrician only
<b>Warranty</b>	2 year replacement warranty*


\*Please refer to warranty conditions.

### SHIPPING

<b>Packaging size</b>	L200mm x H170mm x D145mm
<b>Gross weight</b>	620g
<b>Carton qty</b>	6
<b>Pallet qty</b>	60 cartons

### AVAILABLE IN BLACK



Model	Colour	Barcode
MLXP34520MS	Black	 9312375506348