

25W/45W EXHAUST FAN ROUND TRICOLOUR LED LIGHT



Model Numbers

MXFSLR20M - Saturn 200 25W - Matt Black
 MXFSLR20W - Saturn 200 25W - Matt White
 MXFSLR25M - Saturn 250 45W - Matt Black
 MXFSLR25W - Saturn 250 45W - Matt White

Features

- High velocity exhaust fan with fitted back draft damper
- Ideal for bathrooms, toilets and kitchens
- Separate fan and light power cords included
- Ultra quiet ball bearing motor
- Tricolour switchable colour temperature 3000K, 4000K, 5000K
- 100mm/150mm side duct and draft stopper included
- Cut out template included



2
YEAR
In-Home
Warranty



Energy
Efficient



High Volume
Air Extraction
180 / 443m³/hr



Tricolour

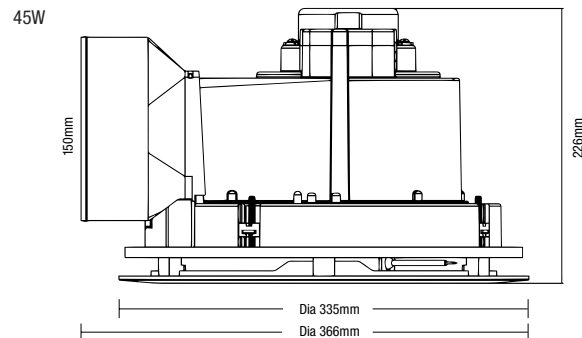
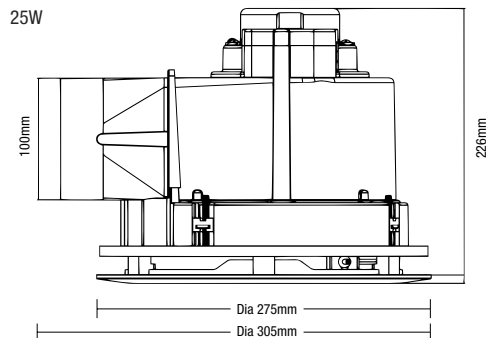


Draft
Stopper



IP Rating

DIMENSIONS



25W/45W EXHAUST FAN ROUND TRICOLOUR LED LIGHT

PACKAGING



INSTALLATION

| | |
|---------------------|------------------------------|
| Installation | By licensed electrician only |
| Warranty | 2 year in home warranty |

*For further information regarding warranty terms and conditions, please refer to enclosed warranty statement. Warranty is void unless installed by a licensed electrician.

SPECIFICATIONS

| | |
|--|--|
| Model Name | Saturn 200 / Saturn 250 |
| Model Numbers | MXFSLR20M - Saturn 200 25W Matt Black MXFSLR20W - Saturn 200 25W Matt White MXFSLR25M - Saturn 250 45W Matt Black MXFSLR25W - Saturn 250 45W Matt White |
| Air Extraction m³/hr | 180m ³ /hr / 443m ³ /hr |
| Power Wattage | 25W/45W |
| Voltage | 220-240V ~ 50Hz |
| Materials / Housing | Plastic with ABS fascia |
| Cutout Size | Dia 240mm / 295mm |
| Decibel Rating | <45dB |
| Lighting Wattage / Type | 17W LED |
| Colour Temperature | 3000K / 4000K / 5000K |
| Lumens Output | 900lm / 1050lm / 900lm (matt black) 1200lm / 1400lm / 1200lm (matt white) |
| Minimum Ceiling Depth | 220mm clearance above the unit |
| Ducting Size | 100mm / 150mm |
| Accessories Included | 900mm flex and plug |

SHIPPING

| | |
|------------------------|--|
| Packaging Size | 330(H) x 30.5(W) x 220(L)mm (MXFSLR20M 25W) 330(H) x 30.5(W) x 220(L)mm (MXFSLR20W 25W) 375(H) x 360(W) x 220(L)mm (MXFSLR25M 45W) 375(H) x 360(W) x 220(L)mm (MXFSLR25W 45W) |
| Carton Quantity | 4 |
| Gross Weight | 15Kg (MXFSLR20M 25W) 15Kg (MXFSLR20W 25W) 20Kg (MXFSLR25M 45W) 20Kg (MXFSLR25W 45W) |

AVAILABLE COLOURS



| Model | Colour | Barcode |
|-----------|------------|-----------------|
| MXFSLR20M | Matt Black | 9 312375 508168 |
| MXFSLR20W | Matt White | 9 312375 508137 |

| Model | Colour | Barcode |
|-----------|------------|-----------------|
| MXFSLR25M | Matt Black | 9 312375 508175 |
| MXFSLR25W | Matt White | 9 312375 508144 |