



ADAPTOR PLATE S9903

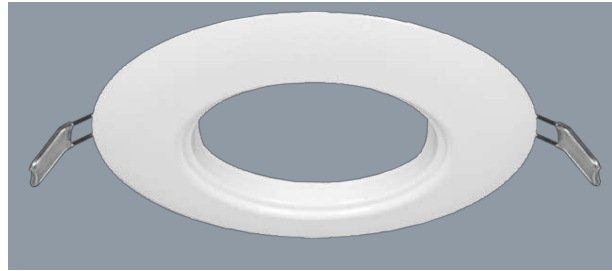
Interior downlight adaptor plates

Application

Residential or Commercial interior spaces

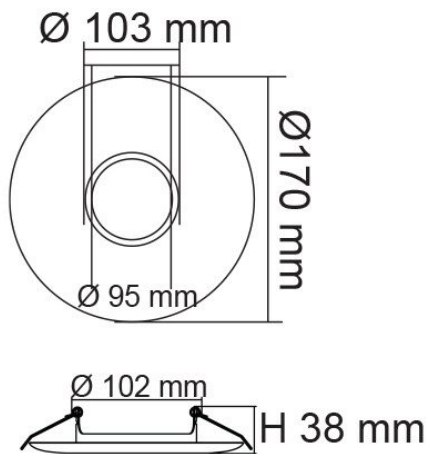
Design Specifications

- Pressed steel plate, black, satin nickel, matt white, or gloss white powder coat finish
- S9903BK, colour BLACK, suits S9003.
- S9903WH, colour Matt White, suits S9146, S9048, S9141, S9842.
- S9903GWH, colour Gloss White, suits S9041, S9046.
- S9903SN, colour Satin Nickel, suits S9003, S9046.
- Dimensions: internal 95mm, overall 170mm



Due to continued product and technology enhancements, data sourced from sal.net.au shall not form part of any contract and or technical performance guarantee unless expressly confirmed in writing by SAL at the time of order. Products are sold in accordance with [SAL Terms and Conditions of sale](#) and all images shown are for illustration purposes only and may vary from the actual colour or finish. Unless specifically stated, all IP ratings nominated for Interior products are from "below the ceiling".

Dimensions



THE SFI SYSTEM ELIMINATES LED FLICKERING.

**SIMPLY
MATCH THE
ECO GEM SFI
DOWNLIGHT
WITH THIS
SDD400SFI
DIMMER.**



**DIM with
FLICKER
CONTROL**

For related
products
please
scan me

