



LED STRIP CONTROLLER LT8915DIM/BT

Smart single colour LED strip controller

Application

Home theatre, commercial spaces and decorative feature lighting designs which require smart control

Design Specifications

- Designed for single colour brightness control, smooth 0 - 100% dimming
- Input voltage range: 12-24V DC, 360W maximum power output at 24V
- One channel with two sets of terminals for easy wiring
- Supports momentary switch (bell press control)
- Control button for easy commissioning and optional memory function
- Supports both wireless and wired group control.

Dimming is achieved via the PIXIE or PIXIE PLUS app (strip controller if supplied) or via a SAL Multifunction control. Trailing edge dimmers are not suitable

Performance

Dimmable - **YES**

Dimmer Type - **PIXIE Bluetooth control**

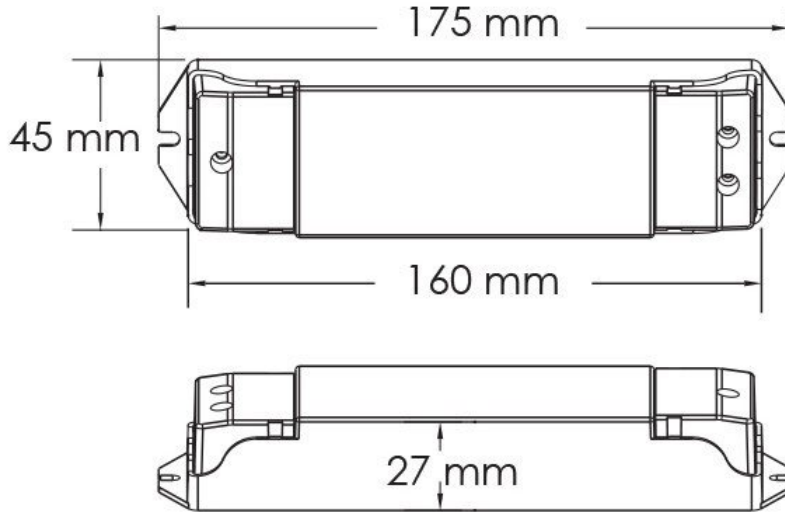
Technical Specification

Model No.	Power (W)	Dim (mm)	Dimmable
LT8915DIM/BT	360	175(L) x 45(W) x 27(H)	YES

Due to continued product and technology enhancements, data sourced from sal.net.au shall not form part of any contract and or technical performance guarantee unless expressly confirmed in writing by SAL at the time of order. Products are sold in accordance with [SAL Terms and Conditions of sale](#) and all images shown are for illustration purposes only and may vary from the actual colour or finish. Unless specifically stated, all IP ratings nominated for Interior products are from "below the ceiling".

Dimensions





Wiring Diagram

