



PREMIER S9071TC - 10W

Dimmable IP64 10W LED downlight with selectable colour temperature

Application

Ideal for any residential or commercial interior spaces

Design Specifications

- Premium aluminium body profile, IC-4 rated
- Stylish white or silver powder coat finish
- Quality opal polycarbonate diffuser
- High efficiency SMD LED chips
- Remote constant current trailing edge dimmable LED driver, with flex and plug

Performance

Dimmable - **YES**

Dimmer Type - **Trailing edge, DALI, DSI**



Technical Specification

Model No.	Description	Input Voltage (V/AC)	Power (W)	Lumens (lm)	CCT (K)	Beam Angle (°)
S9071TC WH	LED D/L 10W IP64 3/4/6K DIM WH	240	10	800/900/900	3000/4000/5700	90
S9071TC SL	LED D/L 10W IP64 3/4/6K DIM	240	10	800/900/900	3000/4000/5700	90

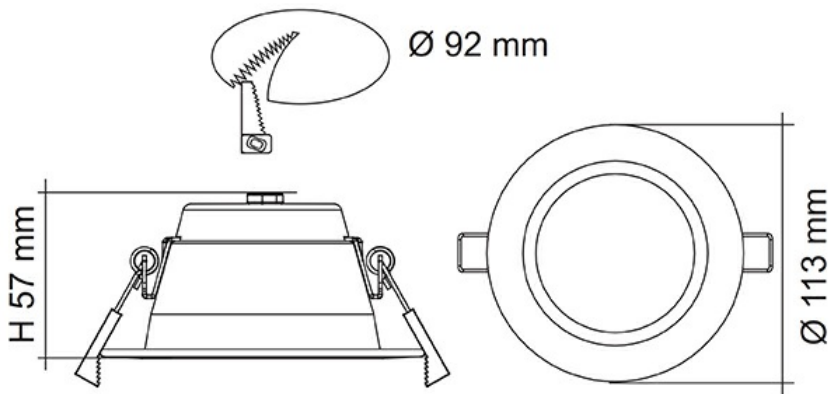
Model No.	Dimmable	CRI	Body Colour	Dimensions (mm)
S9071TC WH	YES	80	WHITE	113(W) x 57(H)
S9071TC SL	YES	80	SILVER	113(W) x 57(H)

Due to continued product and technology enhancements, data sourced from sal.net.au shall not form part of any contract and or technical performance guarantee unless expressly confirmed in writing by SAL at the time of order. Products are sold in accordance with [SAL Terms and Conditions of sale](#) and all images shown are for illustration purposes only and may vary from the actual colour or finish. Unless specifically stated, all IP ratings nominated for Interior products are from "below the ceiling".



Dimensions

S9071TC



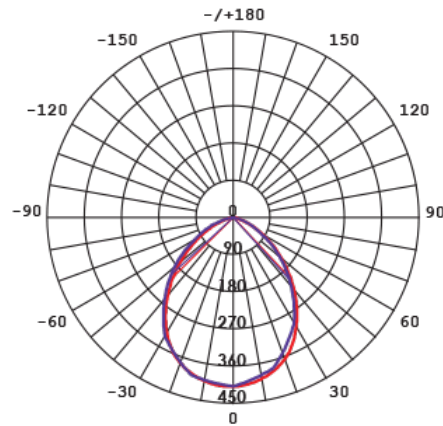


Photometric Data

Photometric Data

Unit: cd C0/C180 _____ C90/C270 _____

S9071TC at 4000K



Product Images

