



PIXIE MULTIFUNCTION CONTROL SMF/BTAS/BP G3

SMART HOME digital push button multifunction control with Bell Press functions

Application

Ideal for residential designs, commercial interior spaces requiring multiple location device control

Design Specifications

- SMF/BTAS/BP includes Bell Press termination leads for dry signal input. Digital push button control to enable multifunction switching or dimming control, simply with an active and neutral termination. All devices must be paired with a PIXIE Master device once installed, for functionality.
- Three (3) complimentary key caps provided to suit most switch plates
- Easy to install, dim and switch with ease, two wire termination mech.
- Switch or dimming control is achieved only in conjunction with PIXIE Master controls.
- Fully compatible with PIXIE and PIXIE PLUS
- Slimline design to allow 1-6 gang configurations



Performance

Dimmable - **YES**

Dimmer Type - **PIXIE BLUETOOTH**

Technical Specification

Model No.	Input Voltage (V/AC)	Dim (mm)
SMF/BTAS/BP	240	42(L) x 24(W) x 24(H)

Due to continued product and technology enhancements, data sourced from sal.net.au shall not form part of any contract and or technical performance guarantee unless expressly confirmed in writing by SAL at the time of order. Products are sold in accordance with [SAL Terms and Conditions of sale](#) and all images shown are for illustration purposes only and may vary from the actual colour or finish. Unless specifically stated, all IP ratings nominated for Interior products are from "below the ceiling".

Dimensions

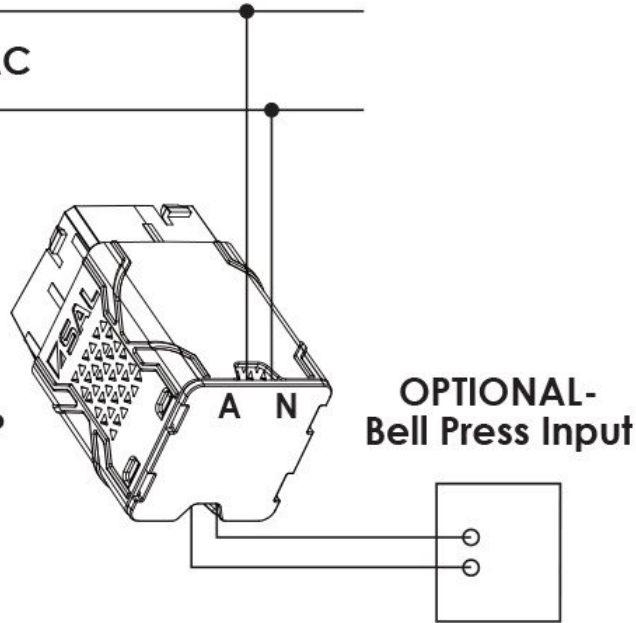
Wiring Diagram

Active

240V/50Hz AC

Neutral

SMF/BTAS/BP



There is no polarity on the bell press conductors.