

PIXIE Multifunction Rotary Controller

#SMFR/BTAS  Bluetooth®

▶ Dial operation

- Multiple Operating Modes
- Paired with dimming products
- Paired with switching products
- Paired with scenes
- Paired with groups
- 4 clicks manual pairing
- 9 clicks reset device

Full operating detail provided in installation manual

▶ Applications

Ideal when fine dimming of individual or grouped devices is needed. Perfect for 6 function scene control from a single device.

▶ Whats in the box

1 x Multifunction controller, 1 x silicone adaptor/spacer, complementary long neck dial for other wall plates like PIXIE Ambience wall plates

▶ Accessories

Long and short neck dial included in package



SCAN ME

Download the PIXIE and
PIXIE PLUS Apps



#SMFRBTAS

Multifunction Rotary Controller



Multifunction secondary device which when paired with PIXIE devices, groups or scenes, delivers a new interactive experience of the PIXIE smart home system with an intuitive interface.

Features

- Rotary dial for intuitive interactions
- Intuitive LED feedback through dial for interactive user experience
- Requires Active + Neutral connection from anywhere to operate
- Requires at least 1 PIXIE Master device to provide function
- Fits into most Australian wall plates, max. 6 gang installation
- Can pair and control every PIXIE master device, control up to 2 scenes in PIXIE app; control up to 6 scenes in PIXIE PLUS app; pair and control groups
- Generation 3 product compatible with Gen 1 and Gen 2 products

Full operating detail provided in installation manual

Electrical

Power Supply	240VAC/ 50 Hz
Min/ Max loads*	No connected load
Operating ambient min/max (°C)	0 to 40°
BT Mesh Typical wireless range	15 metres typical indoors ^{✱✱}
IP Rating	IP20
Dimensions	54x24x24

*Subject to product capability, this size load may require the inclusion of the LOAD capacitor included in the product carton.
✱✱ Depending on building materials and construction.



PIXIE multi function Rotary Controller



#SMFRBTAS

Related products

PIXIE Smart Dimmer SDD300BTAM



PIXIE Smart Dimmer SDD350BT



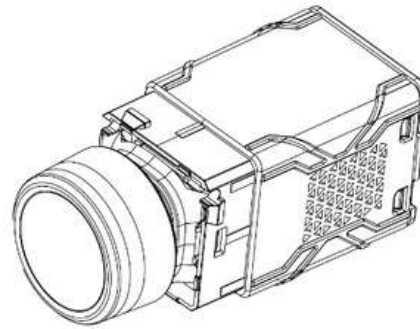
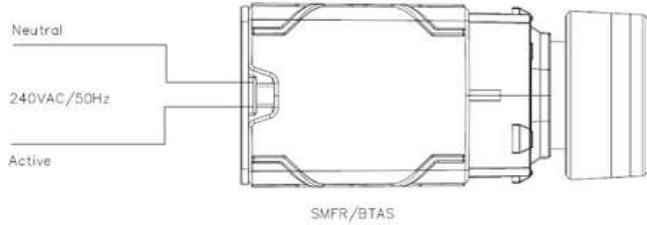
PIXIE Multifunction #SMFBTAS



PIXIE 600W Switch #SWL600BTAM



Wiring Diagram



PIXIE fits in

PIXIE fits in to a huge range of Australian wall plates



SCAN ME



SCAN ME

Download the PIXIE and PIXIE PLUS Apps



Complete installation manual available at SAL National website.

PDF Prepared 1/12/2021 6:00am



© Copyright SAL - All Rights Reserved