

## PIXIE G3 Smart Timer Switch

#STS600BTAM



### Basic operation

- 1 click start /stop timer count down
- Long press for 2 seconds activate override-on mode
- 2 clicks when in timer mode, restart timer
- 4 clicks manual pairing
- 9 clicks reset device

### Applications

Bathroom and laundry exhausts fans, walk-in-robos, outdoor lighting and all delay-off applications

### Whats in the box

1 x Smart timer switch, 1 x silicone adaptor/spacer, 3 x switch caps, 1 x capacitor, installation instructions

### Accessories

PIXIE Ambience wall and faceplates in White/Grey/Black



#STS600BTAM

PIXIE G3 Smart Timer Switch



Push button smart timer switch ideal for bathroom and laundry exhaust fan run-on timers. Also useful for walk-in-robos and anywhere an automatic delay-off function is needed. Duration from 1 minute to 24 hours and 24 hour/ 7 day scheduling built-in.

## Features

- Suitable for timing switched lighting and other compatible loads.
- Loads greater than 600W control possible via contactor (by others).
- Fit most branded switch plates up to 6 gangs and PIXIE Ambience plates
- Timer functions and configuration via phone/tablet with PIXIE Apps
- Timer operation LED indicator quickly flashes for 5 seconds on activation then flashes every 3 seconds
- Non timer operation LED indicator can be enabled and disabled through the PIXIE or PIXIE Plus app, when disabled, the indicator is off at OFF state, and lit at ON state

## Electrical

Power Supply	220-240VAC
Min/ Max loads*	13W*/600W - 400V AC LED
Max inductive loads	120V AC
Operating ambient min/max (°C)	0 to 40°
Typical wireless range	15 metres typical indoors **
IP Rating	IP20

\*Subject to product capability, this size load may require the inclusion of the LOAD capacitor included in the product carton.  
\*\* Depending on building materials and construction.



SCAN ME

Download the PIXIE and  
PIXIE PLUS Apps



## PIXIE G3 Smart Timer Switch

#STS600BTAM



### Related products

PIXIE Smart Dimmer  
#SDD300BTAM



PIXIE Multiway  
#S2WBTAS



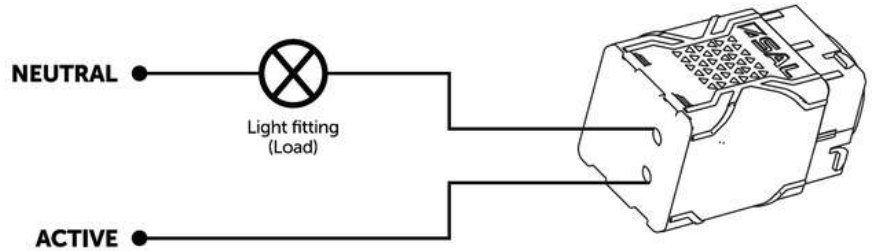
PIXIE 600W Switch  
#SWL600BTAM



PIXIE Multifunction  
#SMFBTAS

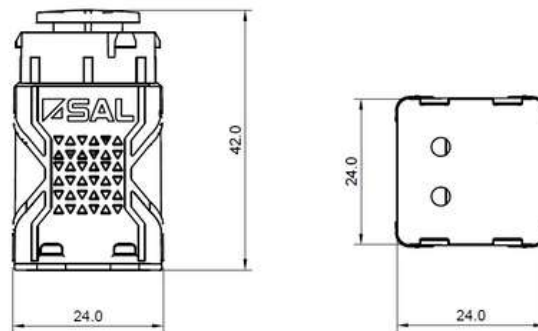


## Wiring Diagram



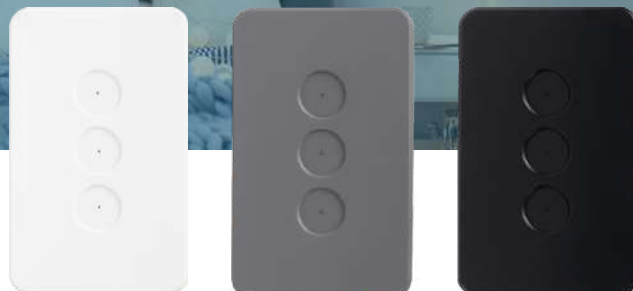
ALLOWABLE LOADS: INCANDESCENT & HALOGEN – 600W; LED – 400VA; FAN – 120VA

## Dimensions



## PIXIE fits in

PIXIE fits in to a huge range of Australian wall plates



SCAN ME



SCAN ME

Download the PIXIE and  
PIXIE PLUS Apps

