



2
WIRE

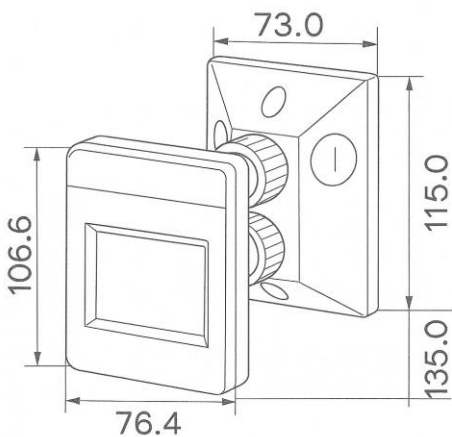


AuraGuard 182 – Outdoor PIR Sensor



Product Features

- IP66 Weatherproof
- 2-Wire or 3-Wire connection
- No Manual Override
- Adjustable Time Delay, Lux and Sensitivity settings



Specification

Model	SEN-IROD182
Sensor Type	PIR
Maximum Load	500w (LED, CFL), 1000w (Incandescent)
Installation Height	1.8m~2.5m
Detection Distance	6~18m
Detection Angle	180°
Time Delay	10s ~ 30mins
Light Sensor	3~2000lux
Power Requirement	220~240VAC
Housing	Polycarbonate
Product Dimension	135 x 73 x 115mm
Weight	204g
Protection Rating	IP66
Warranty	5 Years

Specifications are subject to change without notice