



Modern access solutions.

Residential Series: Touchscreen PoE IP intercom monitors

These modern IP intercom door monitors are ideal for homes or businesses. These modern intercom monitors features video & two way talk, remote access via smartphone and PoE compatibility.

- Slim 7" touchscreen indoor intercom monitor
- Connect to door stations and monitors via Ethernet
- Embedded 8GB storage & microSD slot up to 32GB
- Integrates with most electronic sensors & alarms
- Dual-way bidirectional talk with echo suppression
- Receive visitor notifications, leave audio & video messages, remote view, remote unlock and 2-way talk via iOS & Android devices



7" Slimline Touchscreen Monitors




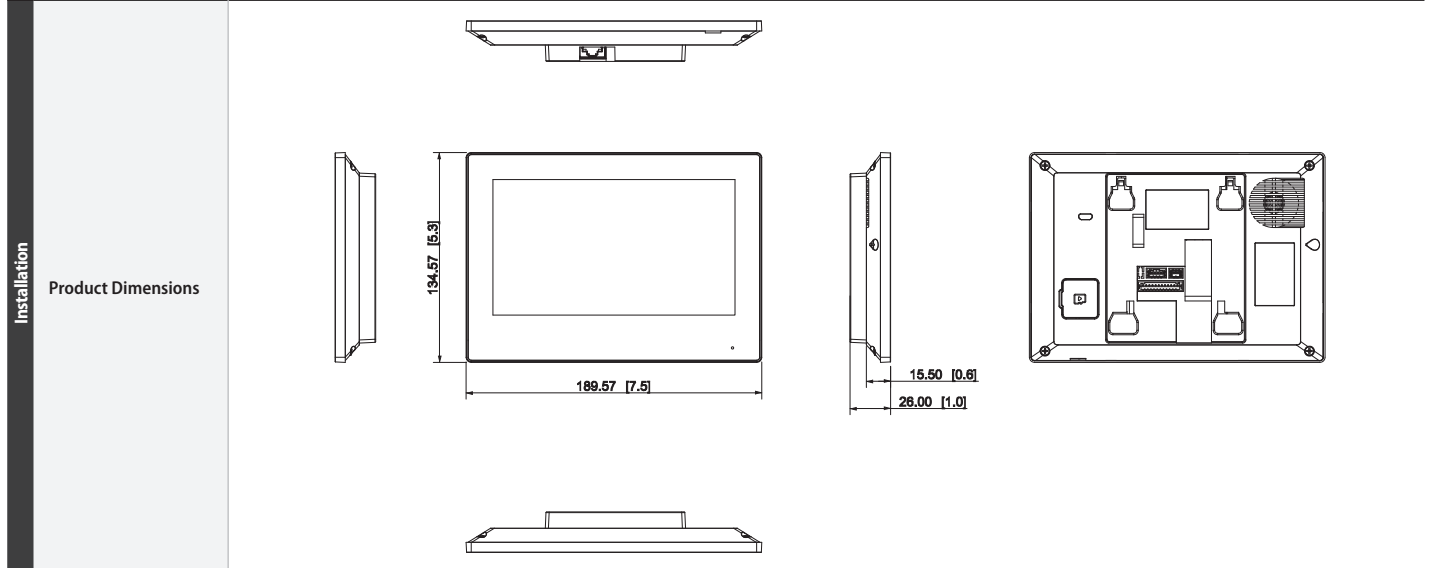
Connect & power over Ethernet



Two-way talk & Remote Unlock

Residential Indoor Monitors | Series Specifications

Model		INTIPMONKW (White)
Monitor	Product Image	
	Main Processor	Embedded Processor
	Display Size	7" Colour TFT LCD (1024 x 600) Captive Touchscreen
	Video Compression	H.264 ; H.265
	Alarm Support	6 Input channels / 1 output channel
	Internal Capacity	Built-in 8GB, MicroSD slot up to 32GB
Audio	Ethernet / Network	1 x 10/100Mbps
	Audio / 2-Way Talk	Omni-directional Microphone / Embedded Loudspeaker
	Bidirectional Talk	Support
	Audio Enhancement	Supports echo suppression
General	Audio Compression	G.711a, G.711u, PCM
	Installation	Surface Mount
	Material	PC + ABS Plastic
	Operating Temperature	-10 ~ +55°C / 10 ~ 95%RH (max.)
	Power Input / Use	12VDC / 1A, PoE (802.3af) / Operation <6W
	Weight / Dimensions	0.34kg / 189.6 x 134.6 x 26mm



Your local VIP Vision™ IP solutions professional: